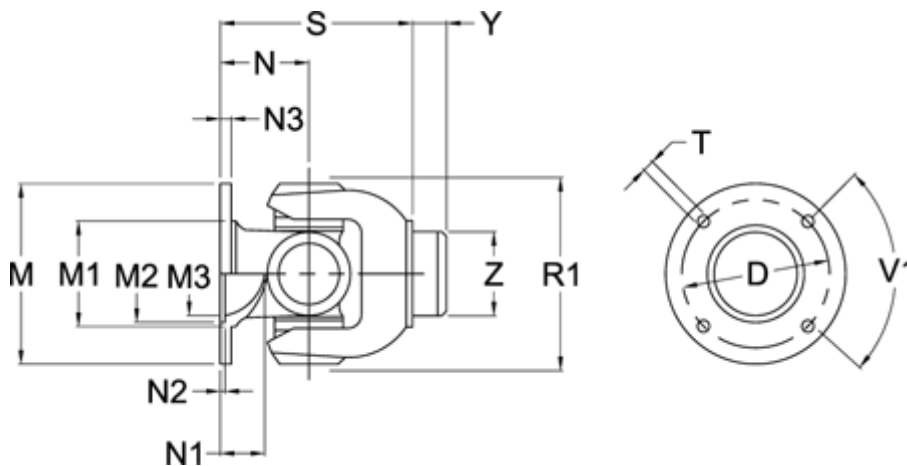


Article number: 07122051007

Description: Universal joint single 0.122.051.007  
S=225 X= Bore with keyway

## Measures



|                            |            |                       |          |            |
|----------------------------|------------|-----------------------|----------|------------|
| D                          | = 218 +0,1 | N2                    | = 6 +0,5 | Z = 108.25 |
| Flange diameter M          | = 250      | N3                    | = 18     |            |
| M1                         | = 176      | Number og Flangeholes | = 8      |            |
| M2                         | = 140      | R1                    | = 204    |            |
| M3                         | = 131      | S min                 | = 225    |            |
| Max. Bending Angle degrees | = 25       | T                     | = 16 B12 |            |
| N                          | = 110      | V1 degrees            | = 45     |            |
| N1                         | = 36       | Y                     | = 30     |            |